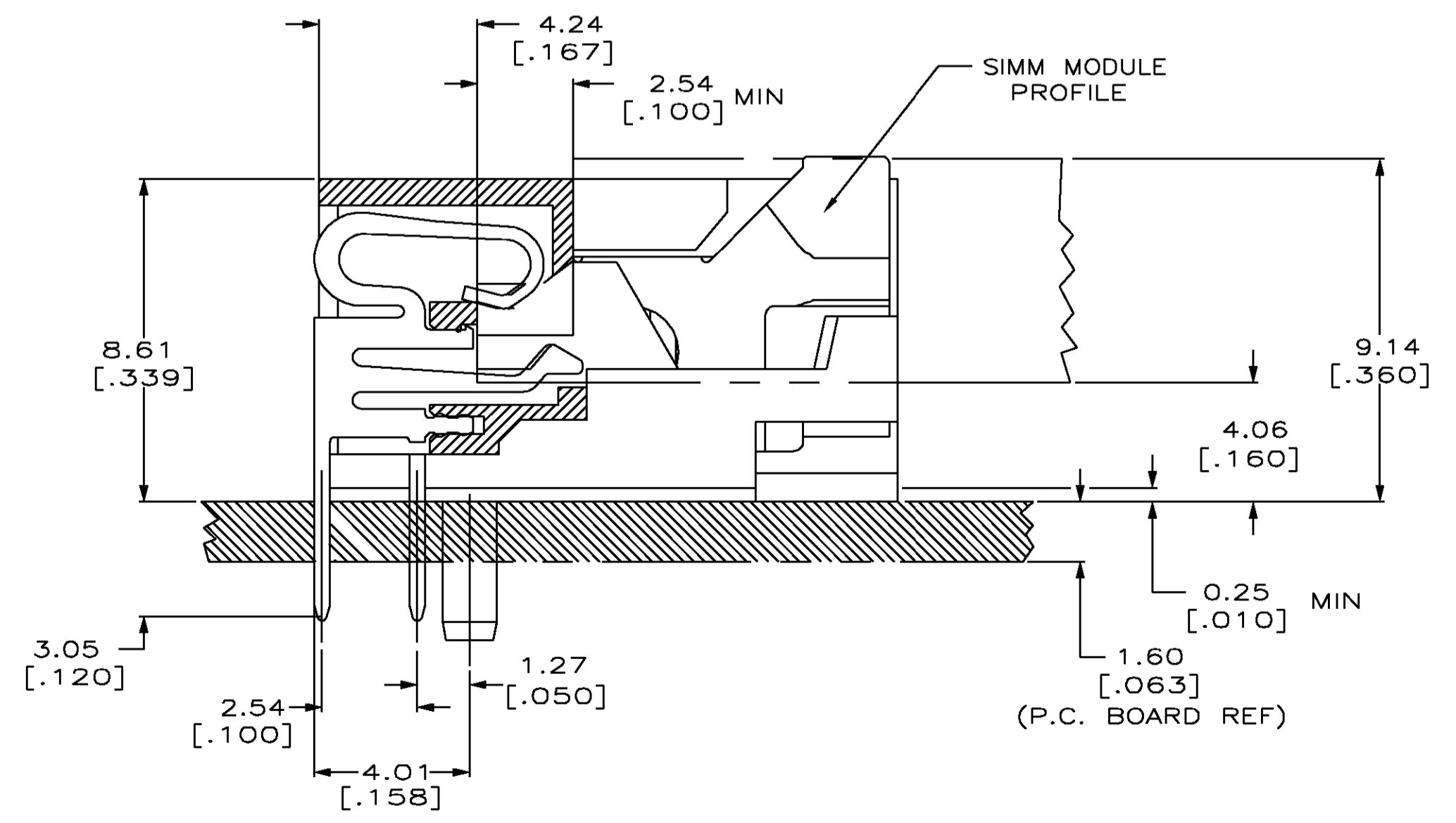
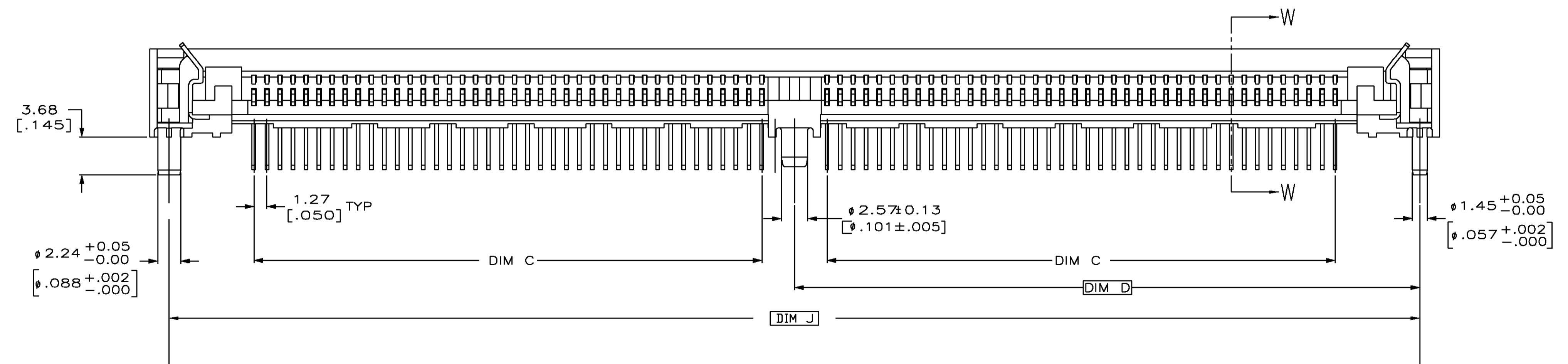
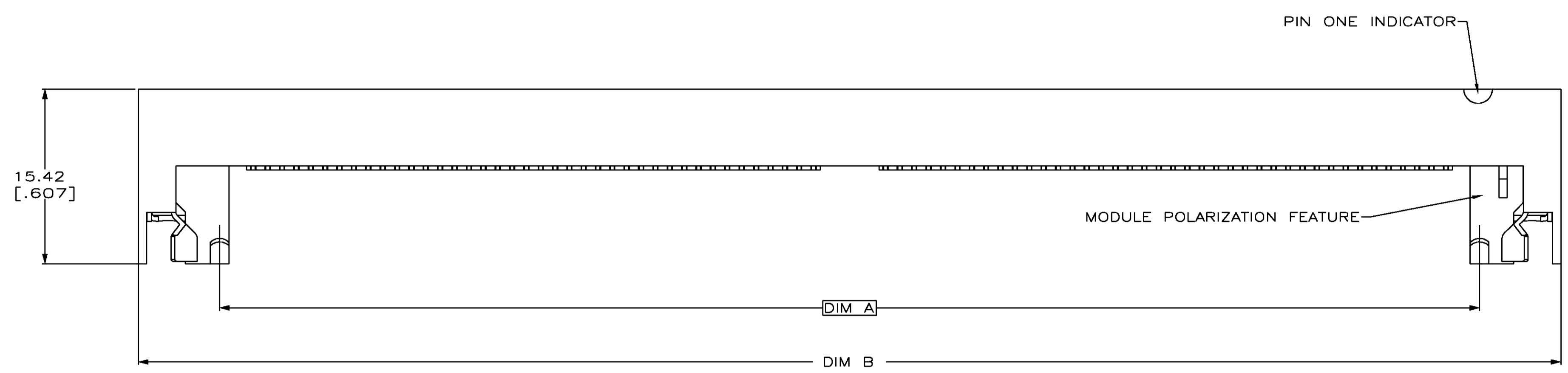


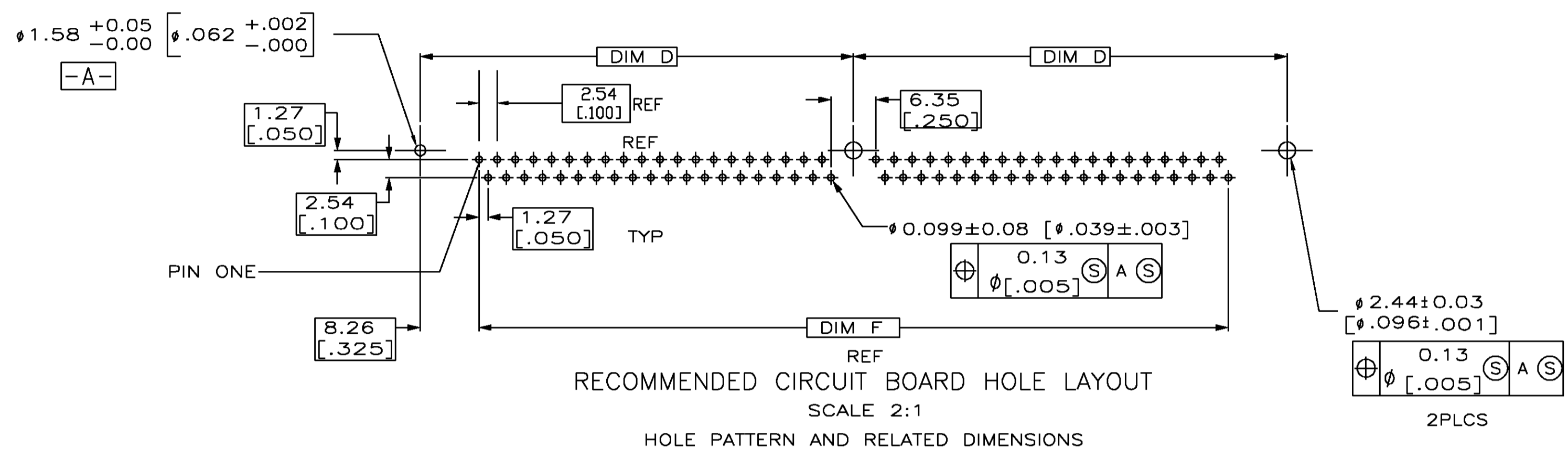
THIS DRAWING IS UNPUBLISHED.
 RELEASED FOR PUBLICATION
 COPYRIGHT BY TYCO ELECTRONICS CORPORATION. ALL RIGHTS RESERVED.

LOC		DIST		REVISIONS			
#	DATE	BY	DESCRIPTION	DATE	BY	APPD	
GP	00	F	PER REV EC 051D-0134-00	27FEB01	MM	JR	

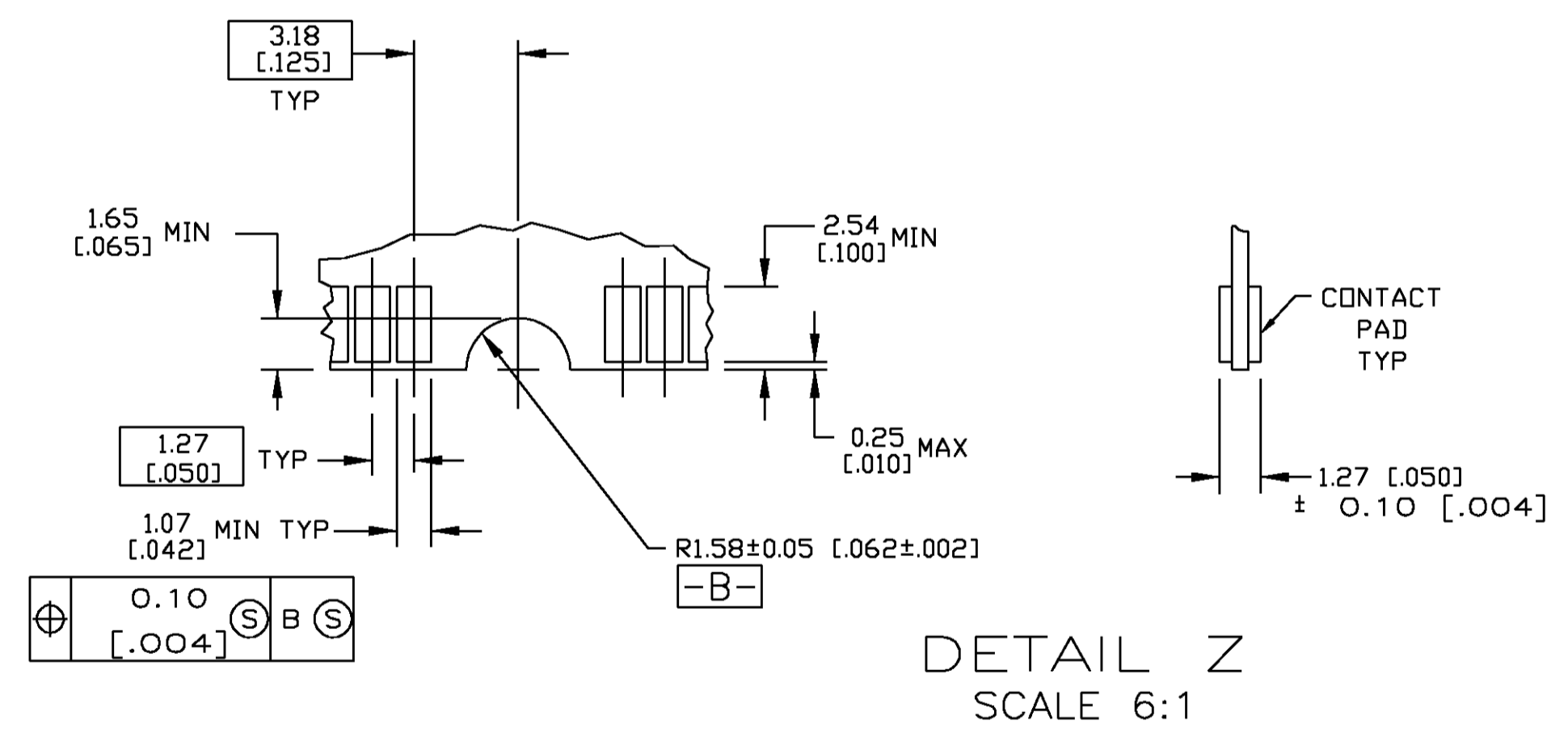
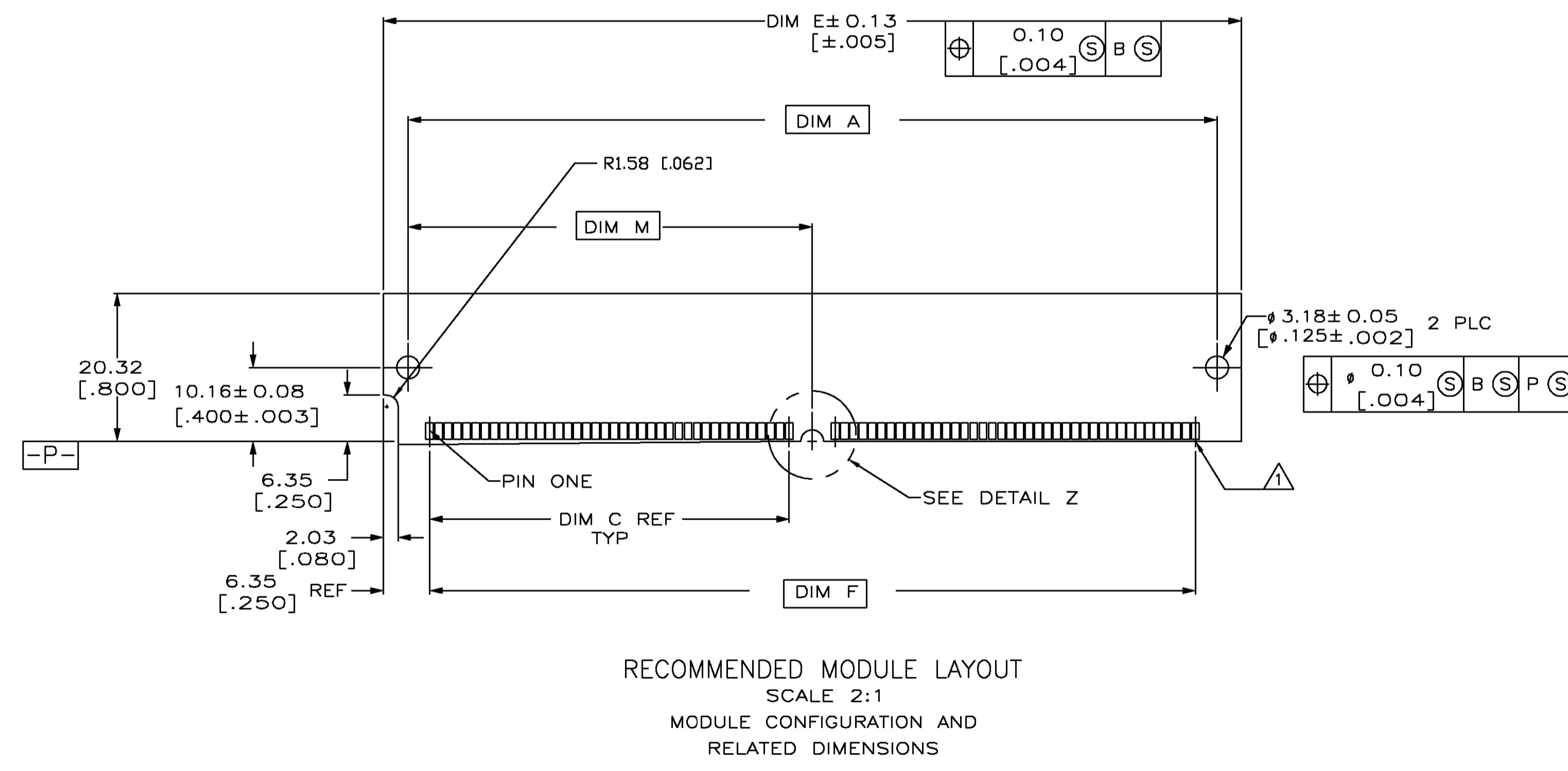


SECTION W-W
 SCALE 8:1

THIS DRAWING IS A CONTROLLED DOCUMENT.		DRW R. TALLEY	7-27-90	AMP Tyco Electronics Corporation mt. Joy, pa 17552	
DIMENSIONS: INCHES		TOLERANCES UNLESS OTHERWISE SPECIFIED:	APVD	NAME	
0 PLC	±			PRODUCT SPEC	SIMM II RTANG
1 PLC	±			APPLICATION SPEC	1.27 [.050] CL ASSY
2 PLC	±				4.06 [.160] HEIGHT
3 PLC	±				
4 PLC	±				
ANGLES:	±				
MATERIAL: H56 GLASS REINF	FINISH		WEIGHT	SIZE	CAGE CODE
				A1	00779
				DRAWING NO	382483
				CUSTOMER DRAWING	SCALE 4:1 SHEET 1 OF 2 REV F



- △ FOR OPTIMUM PERFORMANCE, CONTACT PAD PLATING SHOULD BE SMOOTH AND FLAT. COPPER CONTACT PADS ARE TO BE OVERPLATED WITH .00127[.000050] MIN THK NICKEL FOLLOWED WITH 0.00101[.000040] MIN THK GOLD PLATING.
- △ CONTACT MATING AREA:
 0.00076 [.000030] MIN THICK GOLD.
 SOLDER TAIL:
 0.00381 [.000150] MIN THK TIN-LEAD.
 UNDERPLATE:
 0.00127 [.000050] MIN THK NICKEL OVER ENTIRE CONTACT.



OBSOLETE	58.22 [2.292]	127.00 [5.000]	110.49 [4.350]	123.19 [4.850]	63.50 [2.500]	52.07 [2.050]	130.81 [5.150]	116.43 [4.584]	84	8-382483-4	
OBSOLETE	55.68 [2.192]	121.92 [4.800]	105.41 [4.150]	118.11 [4.650]	60.96 [2.400]	49.53 [1.950]	125.73 [4.950]	111.35 [4.384]	80	8-382483-0	
	50.60 [1.992]	111.76 [4.400]	95.25 [3.750]	107.95 [4.250]	55.88 [2.200]	44.45 [1.750]	115.57 [4.550]	101.19 [3.984]	72	7-382483-2	
OBSOLETE	48.06 [1.892]	106.68 [4.200]	90.17 [3.550]	102.87 [4.050]	53.34 [2.100]	41.91 [1.650]	110.49 [4.350]	96.11 [3.784]	68	6-382483-8	
OBSOLETE	30.28 [1.192]	71.12 [2.800]	54.61 [2.150]	67.31 [2.650]	35.56 [1.400]	24.13 [.950]	74.93 [2.950]	60.55 [2.384]	40	4-382483-0	
			DIM M	DIM J	DIM F	DIM E	DIM D	DIM C	DIM B	DIM A	POSN

THIS DRAWING IS A CONTROLLED DOCUMENT.

DRW: R. TALLEY 7-27-90
 CHK: -
 AMP Tyco Electronics Corporation mt. joy, pa 17552

DIMENSIONS:	TOLERANCES UNLESS OTHERWISE SPECIFIED:	APVD:	NAME:
INCHES:			
0 PLC	± .001		
1 PLC	± .002		
2 PLC	± .003		
3 PLC	± .004		
4 PLC	± .005		
ANGLES:	± .01		

PRODUCT SPEC: -
 APPLICATION SPEC: -

MATERIAL: - FINISH: - WEIGHT: -

SIZE: A1 CAGE CODE: 00779 DRAWING NO: 382483 RESTRICTED TO: -
 CUSTOMER DRAWING SCALE: 4:1 SHEET: 2 OF 2 REV: F